

Mi-T-M[®] CORPORATION

8650 Enterprise Drive, Peosta IA 52068

563-556-7484 / Fax 563-556-1235

PARTS LIST FOR ***JCW-4004-0MVB*** (AFTER SERIAL # 10022533)

ENGINE OIL GRADE:

Above 40°F = SAE 30

Below 40°F = SAE 10W-30

ENGINE OIL CAPACITY:

48 oz. w/o Filter

56 oz. w/Filter

PUMP OIL GRADE:

Mi-T-M #AW-4085-0016

PUMP OIL CAPACITY:

16 oz.

PRESSURE NOZZLE:

4.0

This Parts Listing has been compiled for your benefit. You can be assured your Mi-T-M pressure washer was constructed and designed with quality and performance in mind using over 25 years experience in the pressure washer business. Each component has been rigorously tested to insure the highest level of acceptance.

The contents of this Parts Listing are based on the latest product information available at the time of publication. Mi-T-M reserves the right to make changes in price, color, materials, equipment, specifications or models at any time without notice.

WARNING

THIS IS A PROFESSIONAL HIGH PRESSURE, PRESSURE WASHER. CAUTION SHOULD BE OBSERVED WHEN USING OR REPAIRING THIS UNIT! READ AND FOLLOW THE SAFETY WARNINGS LISTED BELOW BEFORE ATTEMPTING ANY REPAIRS ON THIS PRESSURE WASHER!

SAFETY WARNINGS

1. NEVER alter or modify the equipment. Be sure any accessory items and system components being used will withstand the pressure developed. Use only genuine Mi-T-M parts for repair of your pressure washer. Failure to do so can cause hazardous operating conditions and will VOID warranty.
2. NEVER make adjustments on machinery while the unit is connected to the engine without first removing the ignition cables from the spark plugs. Turning over the machinery by hand during adjustment or cleaning might start the engine and machinery with it, causing serious injury to the operator.
3. Know how to stop and bleed pressures quickly. Be thoroughly familiar with controls.
4. Before servicing the unit, turn unit off, relieve the water pressure and allow the unit to cool down. Do not make repairs while the unit is running. Service in a clean, dry, flat area. Block the wheels to prevent the unit from moving. Be especially careful to properly dispose of any flammable materials.
5. After testing the machine, DO NOT leave the pressurized unit unattended. Shut off the unit and release trapped pressure before leaving.

Table of Contents

SPECIFICATIONS 3

FRAME ASSEMBLY 4

ENGINE ASSEMBLY (851-0201) 6

PUMP ASSEMBLY (3-0190) 8

UNLOADER ASSEMBLY (8-0522) 10

EASY START VALVE (22-0242)..... 12

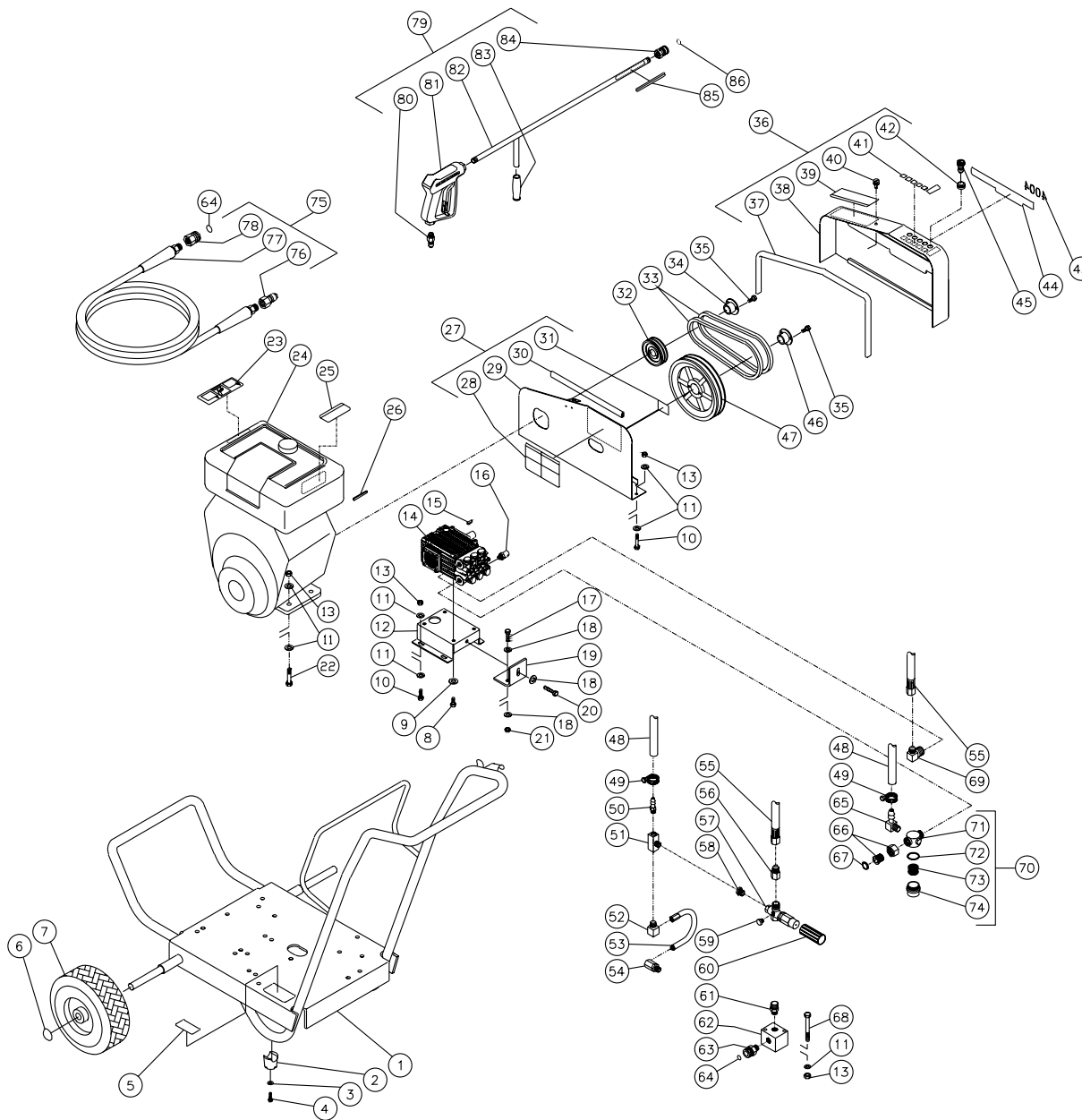
GUN ASSEMBLY (16-0001) 14

SPECIFICATIONS

JCW-4004-0MVB

MODEL NUMBER	JCW-4004-0MVB
Operating Pressure (PSI/Bar):	4000/276
High Pressure Nozzle:	4.0
Water Volume (GPM/lpm):	4.0/15.1
Engine:	Briggs & Stratton Vanguard
Horsepower	16.0
Engine Type	4 Stroke, Overhead Valve, Twin Cylinder
Oil Type	Above 40 F=SAE30/Below 40 F=SAE10W30
Oil Capacity w/o Filter (oz./liter)	48/1.4
Oil Capacity w/Filter (oz./liter)	56/1.7
Fuel Type	Unleaded Gasoline 85 Octane minimum
Capacity (Gallon/liter)	2.25/8.5
Starting	Recoil
Maximum No Load RPM	3600(+/- 100)
Pump:	Belt Driven, Oil Bath, Triplex Piston
Oil Type	Mi-T-M Pump Oil #AW-4085-0016
Oil Capacity (oz./liters)	16/.47
Plungers	Ceramic
Manifold	Forged Brass
Valves	Stainless Steel
Unloader	Preset
Heat Dump Valve	Relieves heated water during unloader bypass stage
Unit Net Weight (Lbs/kg)	184/84
Unit Shipping Weight (Lbs/kg)	260/118
Unit Net Dimension (In/cm)	42L x 26W x 28H/106L x 66W x 71H
Unit Shipping Dimension (In/cm)	48L x 30W x 34H/122L x 76W x 86H

FRAME ASSEMBLY



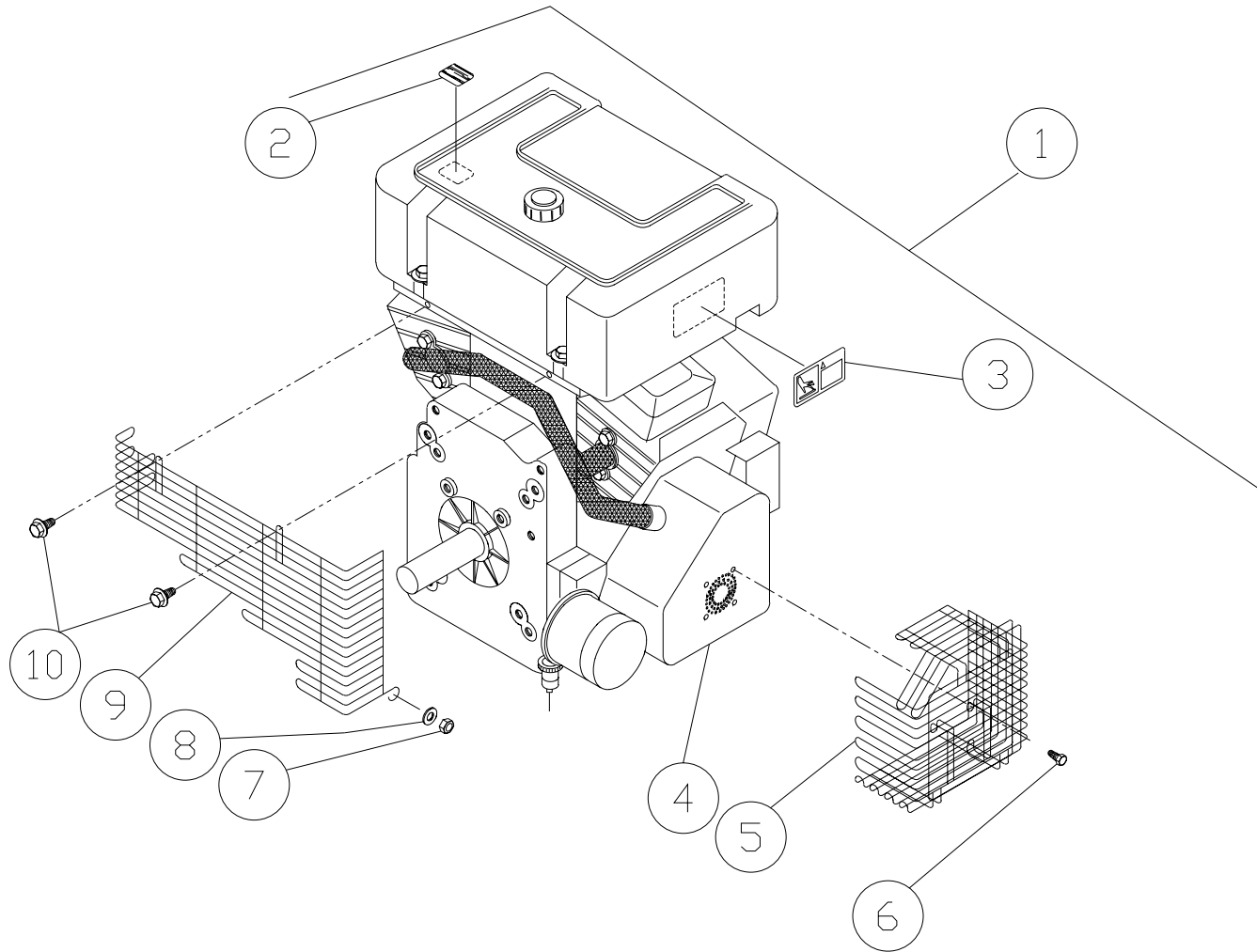
JCW-4004-0MVB-102901-RD

FRAME ASSEMBLY

REF. #	DESCRIPTION	PART#	QTY.	REF. #	DESCRIPTION	PART#	QTY.	REF. #	DESCRIPTION	PART#	QTY.
1	Frame Assembly	5-0129A01	1	31	Decal- Warning: Beltguard in Place (E/S) (See 34-9017)	N/A Sep.	1	58	Bushing	23-0016	1
2	Isolator	14-0066	2	32	Sheave	10-0065	1	59	Plug	39-0017	1
3	Washer	28-0021	2	33	Belt	11-0004	2	60	Heat Shrink *(One Foot Required)	33-0272	1
4	Screw	27-3096	2	34	Bushing	9-0005	1	61	Nipple	24-0010	1
5	Decal- Data Plate	N/A	1	35	Bolt	27-0015	4	62	Manifold	51-0020	1
6	Hubcap	33-0018	2	36	Beltguard Cover Assembly (Inc. 37-42)	851-0313	1	63	Quick Connect Socket	17-0007	1
7	Wheel	14-0017	2	37	Edging *(Three Feet Required)	33-0020	1	64	O-ring (Replacement Only)	25-0123	-
8	Bolt	27-8884	4	38	Beltguard Cover (See 851-0313)	N/A Sep.	1	65	Elbow	23-0119	1
9	Washer	29-0054	4	39	Decal- Operating Instructions (E/S) (See 34-9017)	N/A Sep.	1	66	Hose Swivel	23-0095	1
10	Bolt	27-0067	7	40	Fastener	33-0197	1	67	Gasket	26-0001	1
11	Washer	28-0003	24	41	Decal- White Die Cut Nozzles	34-0500	1	68	Bolt	27-0074	2
12	Bracket	5-0130A01	1	42	Gromet	33-0001	5	69	Elbow	24-0092	1
13	Locknut	30-0157	13	43	Decal- White Die Cut 4004	34-0261	1	70	Filter Assembly (Inc. 71-74)	19-0096	1
14	Pump	3-0190	1	44	Decal- Job Pro	34-0777	1	71	Strainer Body	19-0105	1
15	Key	46-0601	1	45	Spray Nozzle- 0004	18-0028	1	72	Strainer Gasket	25-0056	1
16	Heat Dump Valve	22-0005	1	-	Spray Nozzle- 1504	18-0029	1	73	Screen	19-0104	1
17	Bolt	27-0118	2	-	Spray Nozzle- 2504	18-0030	1	74	Strainer Bowl	19-0103	1
18	Washer	28-0023	5	-	Spray Nozzle- 4004	18-0031	1	75	High Pressure Hose Assembly (Inc. 76-78)	851-0006	1
19	Bracket	13-0005A01	1	46	Bushing- Pump	9-0017	1	76	Quick Connect Plug	17-0006	1
20	Bolt	27-0576	1	47	Sheave- Pump	10-0007	1	77	High Pressure Hose	15-0004	1
21	Locknut	30-0159	2	48	Hose *(Three Feet Required)	15-0007	1	78	Quick Connect Socket	17-0004	1
22	Bolt	27-0070	4	49	Screw Clamp	42-0011	2	79	Gun Assembly (Inc. 80-84)	851-0095	1
23	Decal- Warning: Muffler Hot (E/S) (See 34-9017)	N/A Sep.	1	50	Barb	23-0105	1	80	Quick Connect Plug	17-0005	1
24	Engine- 16.0 HP	851-0201	1	51	Branch T	23-0117	1	81	Gun	16-0001	1
25	Decal- Caution: Engine Fuel (E/S) (See 34-9017)	N/A Sep.	1	52	Elbow	23-0324	1	82	Wand	16-0120A01	1
26	Key	43-0078	1	53	Hose	15-0140	1	83	Grip	7-0002	1
27	Beltguard Back Assembly (Inc. 28-31)	851-0312	1	54	Easy Start Valve	22-0242	1	84	Quick Connect Socket	17-0001	1
28	Decal- Warning/ Caution (E/S) (See 34-9017)	N/A Sep.	1	55	Hose	15-0177	1	85	Decal- Warning: Risk of Injection (E/S) (See 34-9017)	N/A Sep.	1
29	Beltguard Back (See 851-0312)	N/A Sep.	1	56	Adapter	24-0150	1	86	O-ring (Replacement Only)	25-0122	-
30	Edging *(Two Feet Required)	33-0020	1	57	Unloader	8-0522	1		Safety Decal Kit (Includes 23, 25, 28, 31, 39, 85)	34-9017	

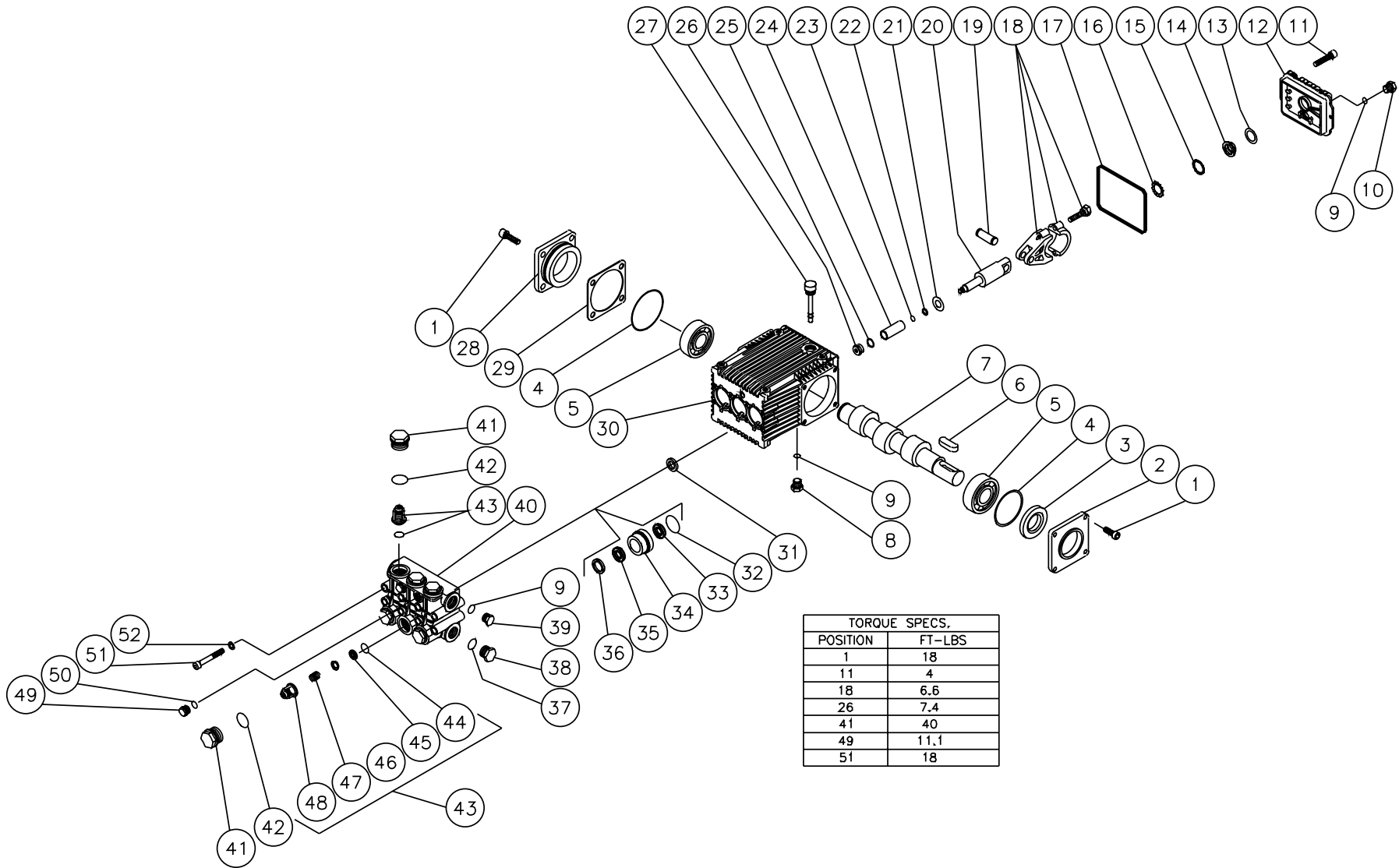
*Must Order in One Foot Lengths

ENGINE ASSEMBLY (851-0201)



ENGINE ASSEMBLY (851-0201)			
REF. #	DESCRIPTION	PART #	QTY.
1	Engine Assembly (Includes 2-10)	851-0201	1
2	Decal- Caution: Allow to Cool (E/S) (See 34-9017)	N/A Sep.	1
3	Decal- Warning: Exhaust Hot (E/S) (See 34-9017)	N/A Sep.	1
4	Engine- 16HP	N/A	1
5	Muffler Guard	6-0065	1
6	Screw	27-3064	4
7	Locknut	30-0157	1
8	Washer	28-0003	1
9	Exhaust Guard	6-0066	1
10	Screw	27-3062	2
	Safety Decal Kit (Includes 2-3)	34-9017	

PUMP ASSEMBLY (3-0190)



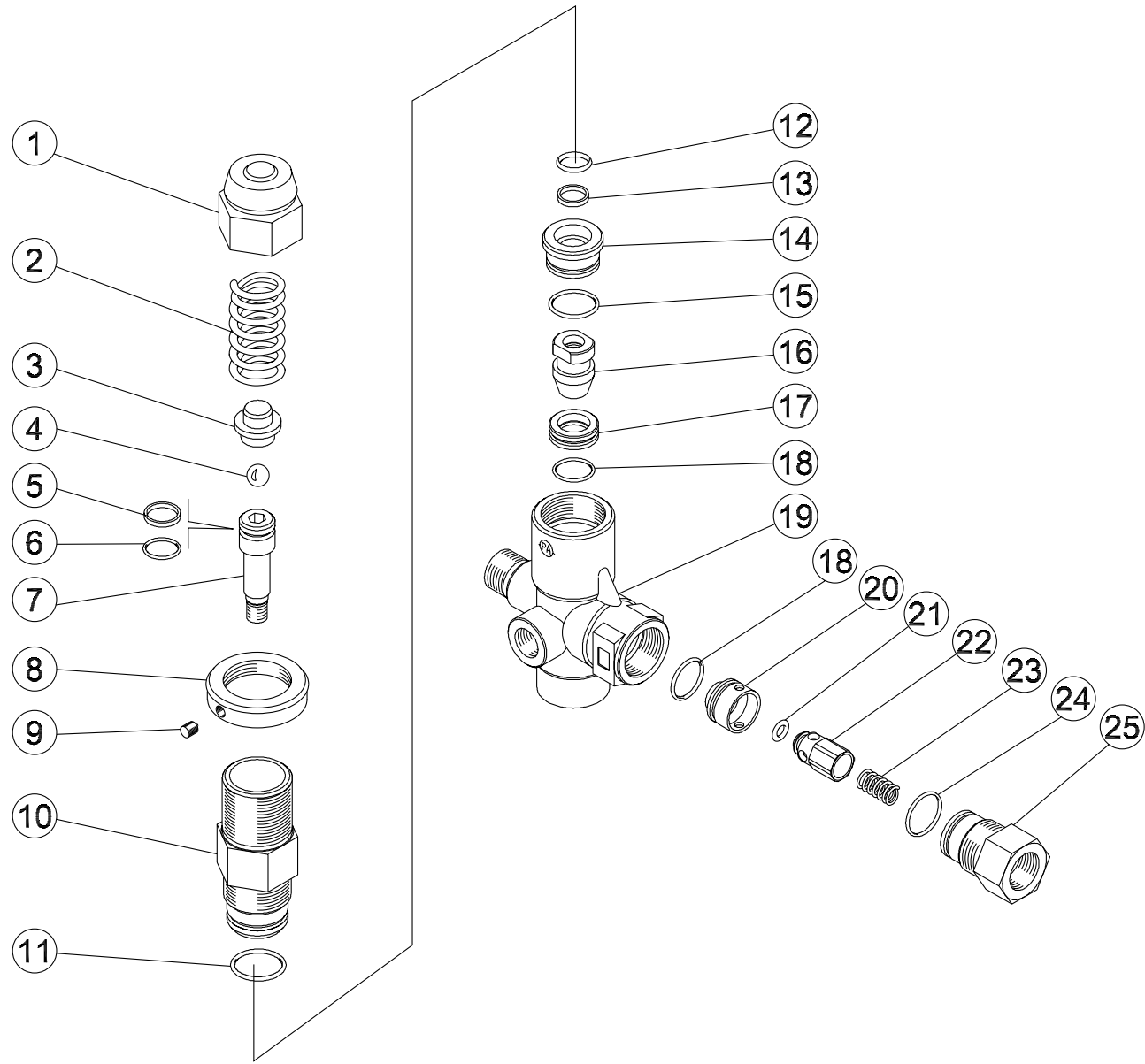
TORQUE SPECS.	
POSITION	FT-LBS
1	18
11	4
18	6.6
26	7.4
41	40
49	11.1
51	18

3-0190-082302-RD

PUMP ASSEMBLY (3-0190)

REF. #	DESCRIPTION	PART #	QTY.	REF. #	DESCRIPTION	PART #	QTY.	REF. #	DESCRIPTION	PART #	QTY.
1	Bolt	27-8884	8	21	Washer	46-0700	3	40	Manifold	46-0813	1
2	Shaft Cover	46-0691	1	22	Backup Ring	25-0404	3	41	Valve Cap	39-0105	6
3	Oil Seal	26-0188	1	23	O-ring	25-0382	3	42	O-ring	25-0160	6
4	O-ring	25-0380	2	24	Piston	46-0701	3	43	Single Valve Assembly (Inc. 44-48) (See 70-0319)	N/A Sep.	6
5	Roller Bearing	48-0061	2	25	Washer	26-0191	3	44	O-ring	25-0386	6
6	Key	43-0091	1	26	Nut	30-6020	3	45	Valve Seat (See 70-0319)	N/A Sep.	6
7	Crankshaft	46-0692	1	27	Oil Dipstick	39-0090	1	46	Valve Plate (See 70-0319)	N/A Sep.	6
8	Plug	39-0102	1	28	Bearing Cap	46-0703	1	47	Valve Spring (See 70-0319)	N/A Sep.	6
9	O-ring	25-0325	3	29	Shim (Quantity Varies 1-3)	46-0704	-	48	Valve Cage (See 70-0319)	N/A Sep.	6
10	Plug	39-0086	1	-	Shim (Quantity Varies 1-3)	46-0705	-	49	Plug	39-0096	2
11	Bolt	27-8885	6	30	Crankcase	46-0811	1	50	O-ring	25-0387	2
12	Crankcase Cover	46-0719	1	31	Oil Seal	46-0931	3	51	Bolt	27-8440	8
13	O-ring	25-0370	1	32	O-ring	25-0384	3	52	Lockwasher	29-0154	8
14	Oil Sight Glass	46-0670	1	33	Low Pressure Seal (See 70-0177)	N/A Sep.	3		Oil Seals Kit (Inc. 3, 4, 17, 31)	70-0321	
15	Reflector	46-0824	1	34	Packing Retainer	46-0708	3		Piston Kit (Inc. 3 each 21-26)	70-0352	
16	Retainer	46-0671	1	35	V-packing (See 70-0177)	N/A Sep.	3		High Pressure Seals (Inc. 3 each 32, 33, 35)	70-0177	
17	O-ring	25-0398	1	36	Support Ring (See 70-0178)	N/A Sep.	3		Support Rings (Inc. 3 each 36)	70-0178	
18	Connecting Rod	46-0697	3	37	O-ring	25-0372	1		Valve Kit (Inc. 3 each 44-48)	70-0319	
19	Piston Pin	46-0698	3	38	Plug	39-0103	1				
20	Plunger Rod	46-0699	3	39	Plug	39-0104	1				

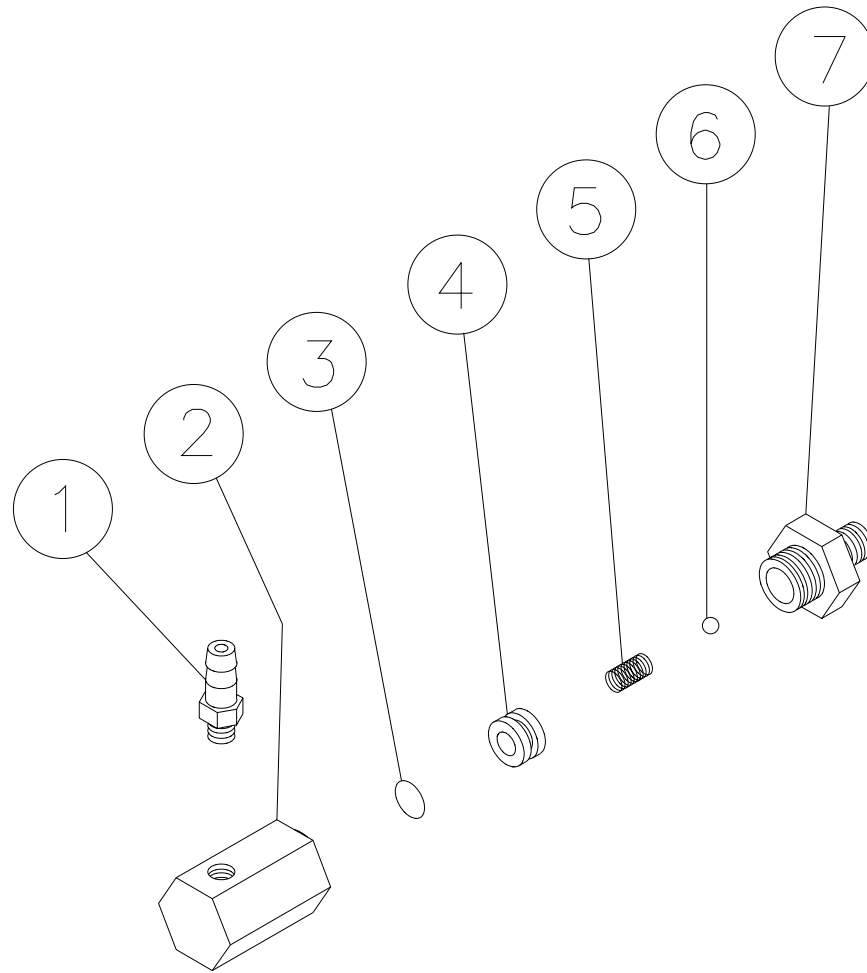
UNLOADER ASSEMBLY (8-0522)



UNLOADER ASSEMBLY (8-0522)

REF. #	DESCRIPTION	PART #	QTY.	REF. #	DESCRIPTION	PART #	QTY.
1	Brass Cap	8-0534	1	15	O-ring	25-0368	1
2	Spring	49-0149	1	16	Shutter	8-0540	1
3	Spring Guide	8-0535	1	17	Seat	8-0541	1
4	Ball	8-0318	1	18	O-ring	25-0220	2
5	Back-up Ring (See 70-0342)	N/A Sep.	1	19	Valve Body	8-0542	1
6	O-ring (See 70-0342)	N/A Sep.	1	20	Check Valve Seat	8-0543	1
7	Piston	8-0536	1	21	O-ring	25-0369	1
8	Lock Ring	8-0537	1	22	Check Valve	8-0486	1
9	Set Screw	8-0408	1	23	Spring	49-0150	1
10	Piston Housing	8-0538	1	24	O-ring	25-0325	1
11	O-ring	25-0189	1	25	Nipple	8-0485	1
12	Back-up Ring (See 70-0343)	N/A Sep.	1		Upper Seal Kit (Inc. 5, 6)	70-0342	1
13	O-ring (See 70-0343)	N/A Sep.	1		Lower Seal Kit (Inc. 12, 13)	70-0343	1
14	Spacer	8-0539	1				

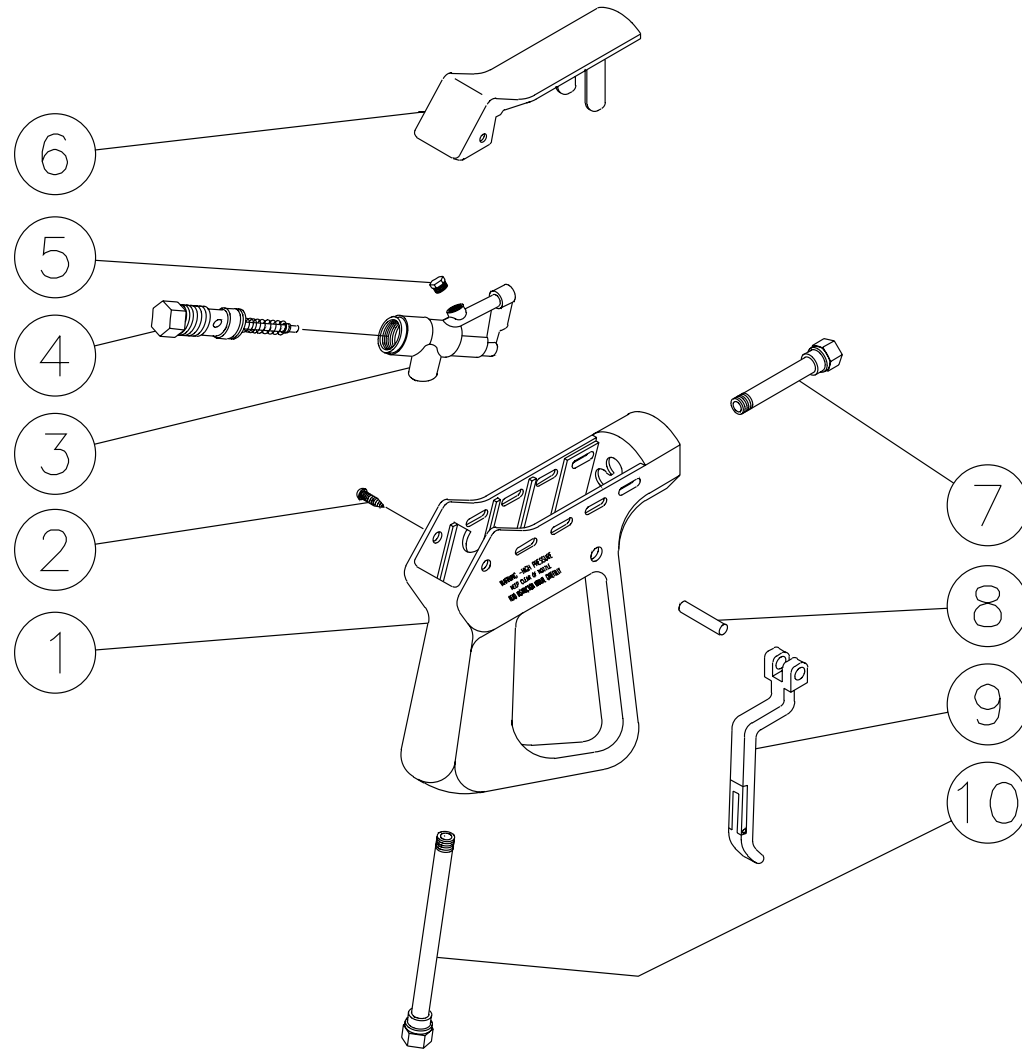
EASY START VALVE (22-0242)



22-0242-062100-RD

EASY START VALVE (22-0242)			
REF. #	DESCRIPTION	PART #	QTY.
1	Hose Barb	23-0141	1
2	Easy Start Body	23-0337	1
3	O-ring	25-0366	1
4	Ball Seat	23-0338	1
5	Spring	49-0136	1
6	Check Valve Ball	23-0339	1
7	Inlet Fitting	23-0340	1

GUN ASSEMBLY (16-0001)



16-0001-110399-RD

GUN ASSEMBLY (16-0001)			
REF. #	DESCRIPTION	PART #	QTY.
1	Plastic Housing	16-0008	1
2	Screw	27-3230	2
3	Brass Housing	16-0012	1
4	Gun Repair Kit	70-0055	1
5	Brass Plug	39-0024	1
6	Plastic Cover	16-0009	1
7	Pipe Assembly	16-0013	1
8	Trigger Pin	16-0063	1
9	Trigger/Safety Lock-off	16-0010	1
10	Pipe Assembly- Inlet	16-0016	1
	Complete Gun Assembly	16-0001	1

